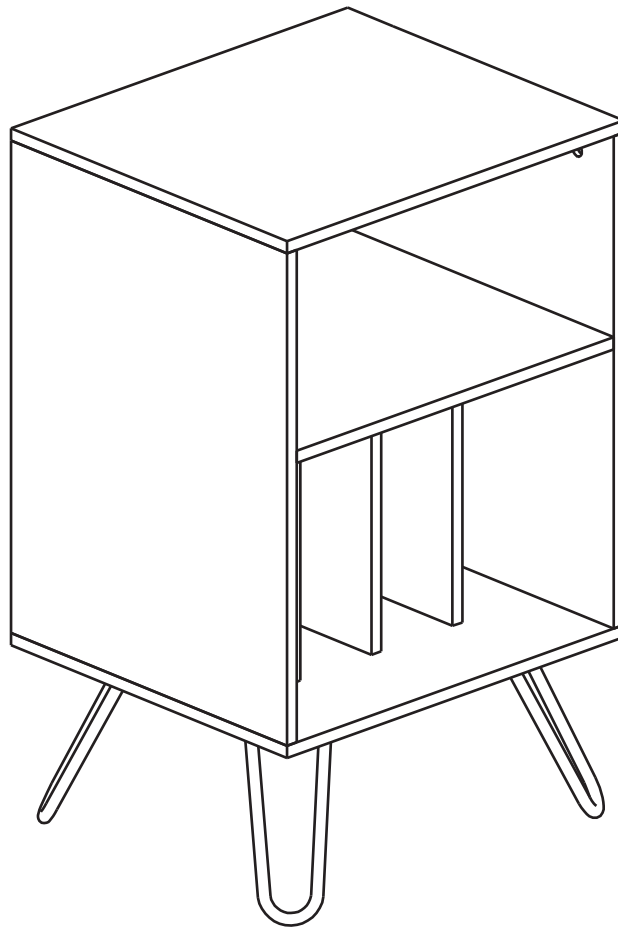




Statio Audio Rack

Assembly Instructions

SAR100



ARKROCKET INC.
Atlanta, GA






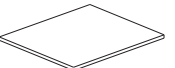
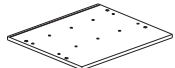
www.ARKROCKET.com

Assembly Instructions








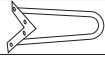



***Caution: Please read all instructions carefully before starting the assembly process. Some of the parts maybe cumbersome and heavy, therefore it is recommended two people assemble this furniture to prevent personal injury or damage to the parts during assembly.

Component List

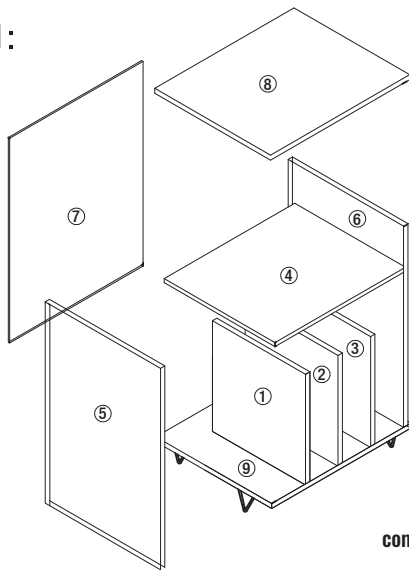
Headboard & Footboard

No	Descriptions	Q'ty
1/2/3		3pcs
4		1pc
5		3pcs
6		1pc
7		1pc
8		1pc
9		1pc

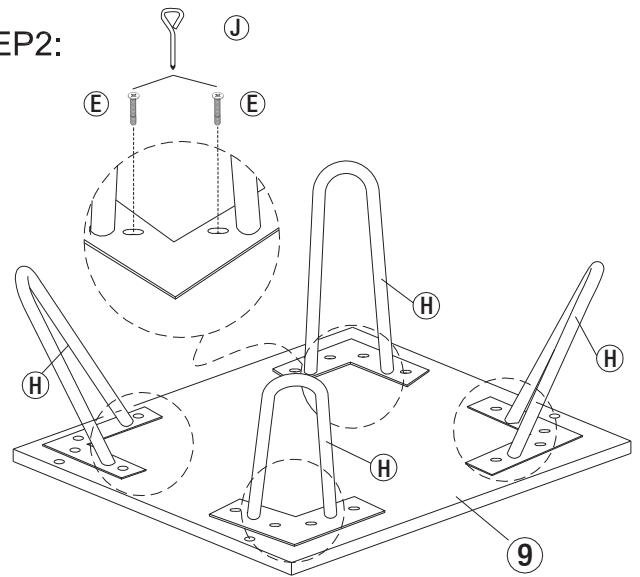
Hardware List

No.	Descriptions	Q'ty
A	Hexagon socket screw($\varnothing 6 \times 30\text{mm}$) 	10pcs
B	Screw lock sleeve ($\varnothing 15 \times 11.5\text{mm}$) 	10pcs
C	Self-tapping screw ($\varnothing 6 \times 49\text{mm}$) 	4pcs
D	Screw KA ($\varnothing 3.5 \times 16\text{mm}$) 	4pcs
E	Screw M5 (14mm) 	16pcs
F	Wooden stopper ($\varnothing 8 \times 30\text{mm}$) 	24pcs
G	Nylon Angle code 	4pcs
H	Foot 	4pcs
I	Screwdriver 	1pcs
J	Screwdriver 	1pcs
K	Screw hole cover (PVC) 	4pcs

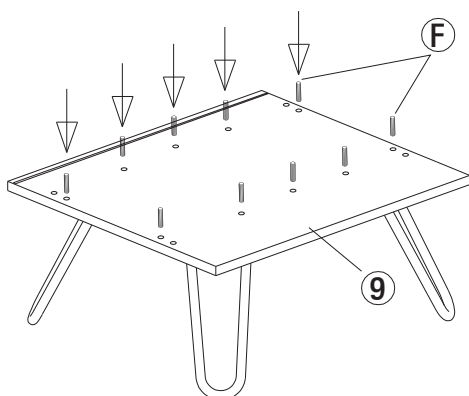
STEP1:



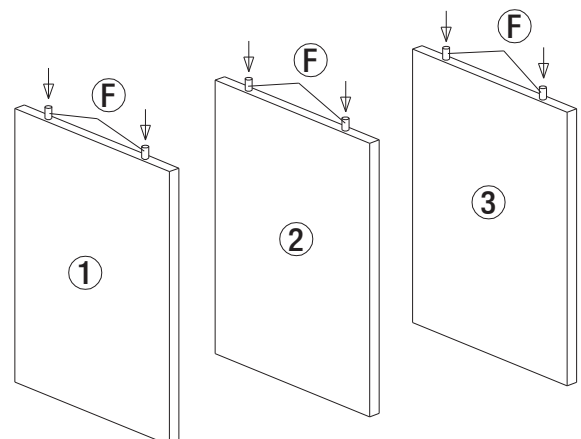
STEP2:



STEP3:



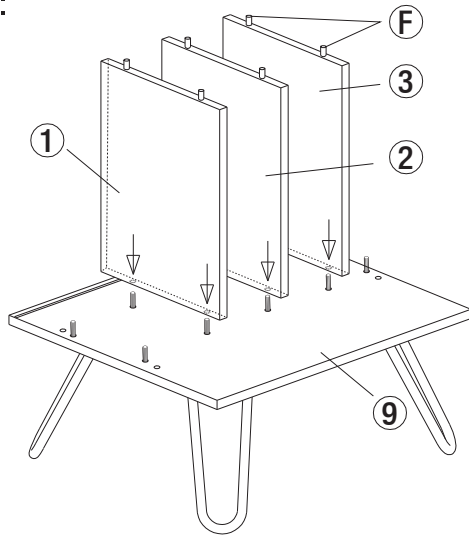
STEP4:



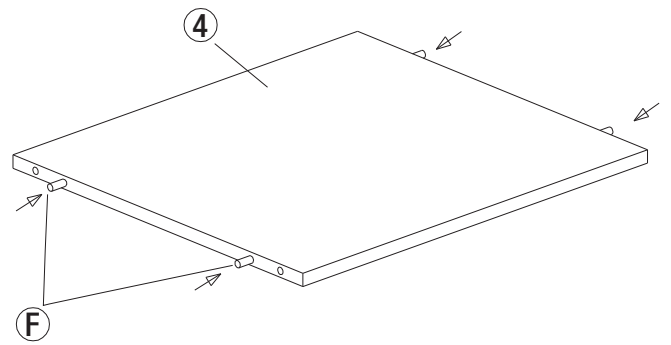
Assembly Instructions

***Caution: Please read all instructions carefully before starting the assembly process. Some of the parts maybe cumbersome and heavy, therefore it is recommended two people assemble this furniture to prevent personal injury or damage to the parts during assembly.

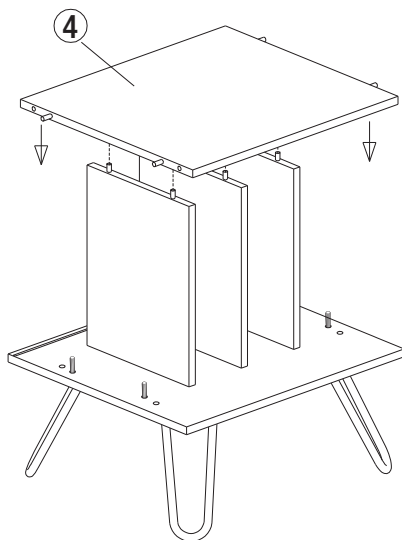
STEP5:



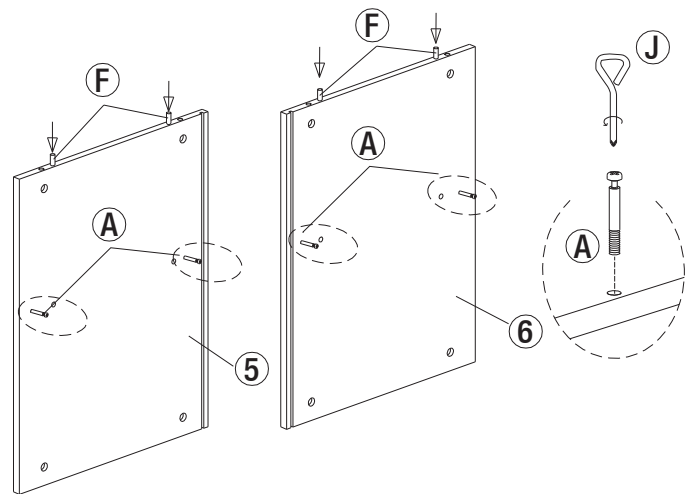
STEP6:



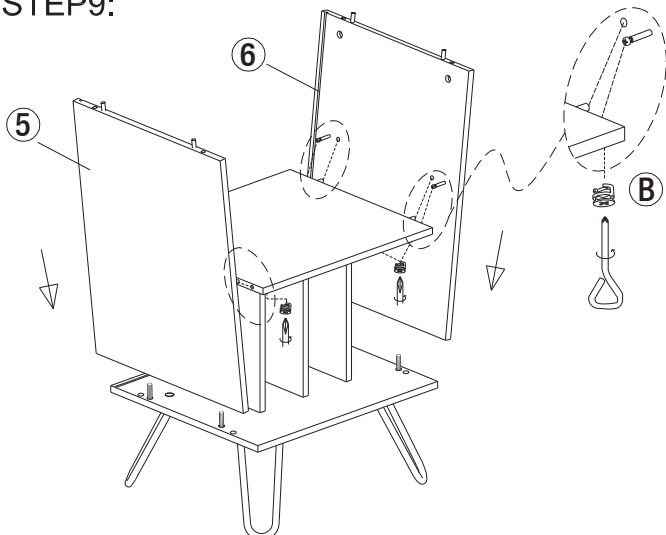
STEP7:



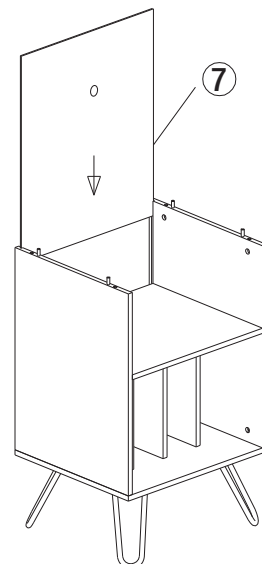
STEP8:



STEP9:



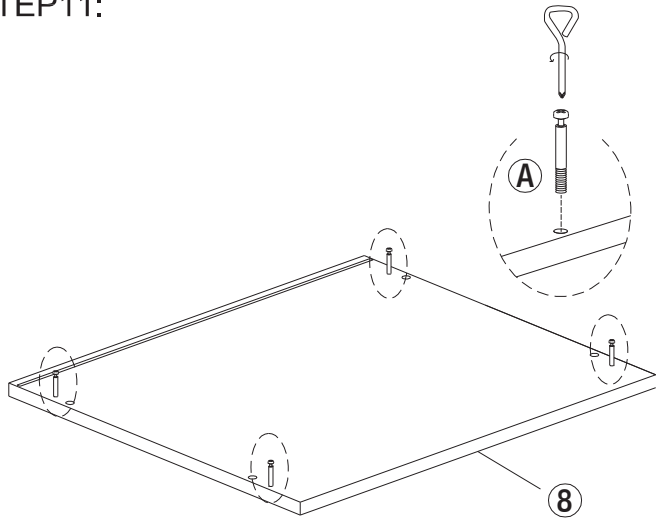
STEP10:



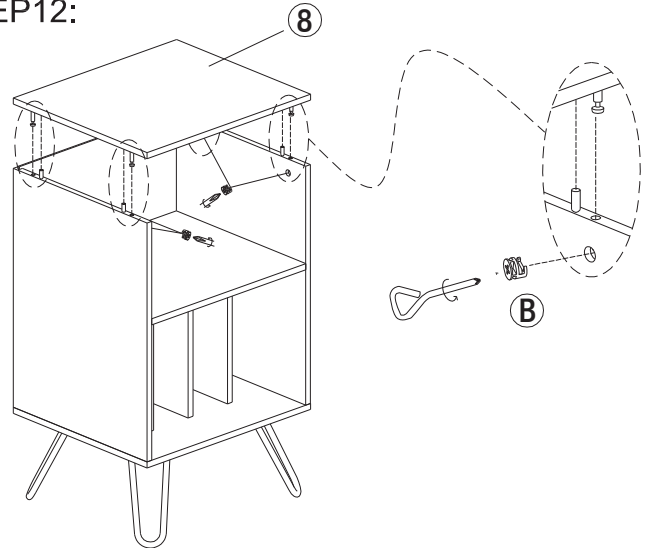
Assembly Instructions

***Caution: Please read all instructions carefully before starting the assembly process. Some of the parts maybe cumbersome and heavy, therefore it is recommended two people assemble this furniture to prevent personal injury or damage to the parts during assembly.

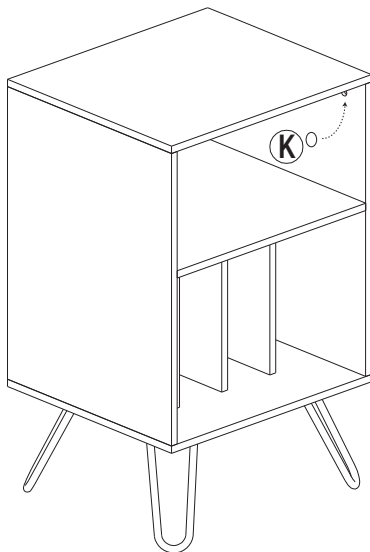
STEP11:



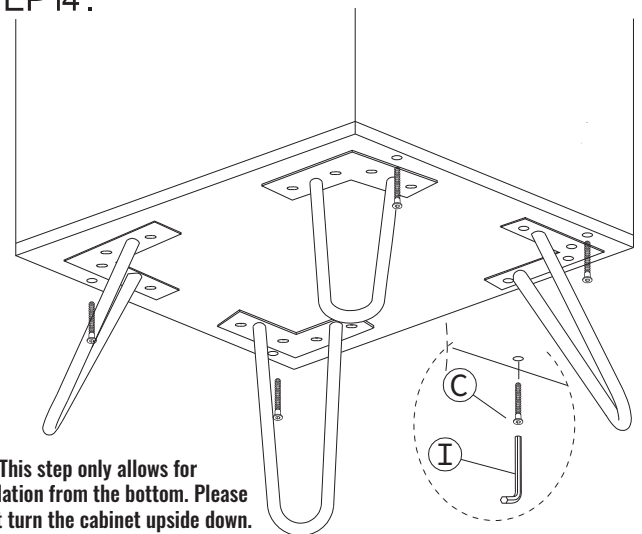
STEP12:



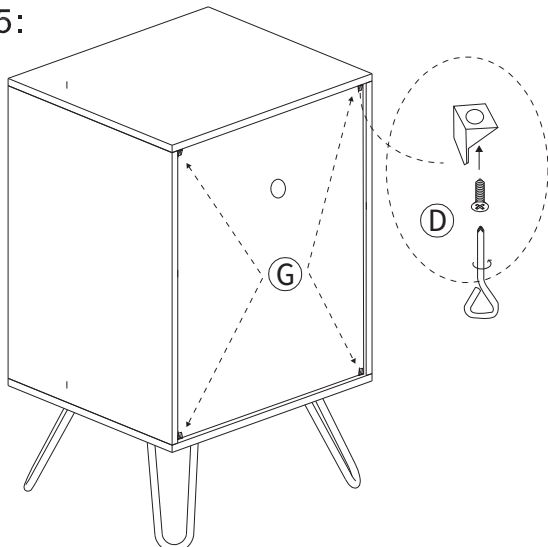
STEP13:



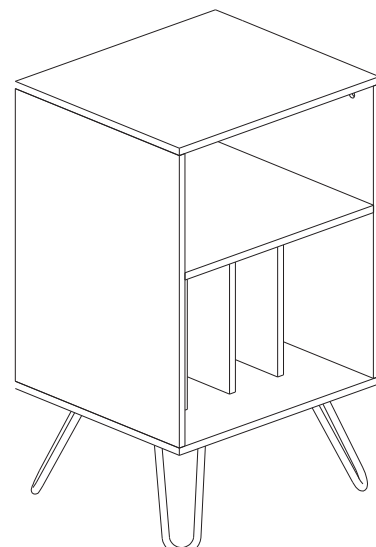
STEP14:



STEP15:



STEP16:

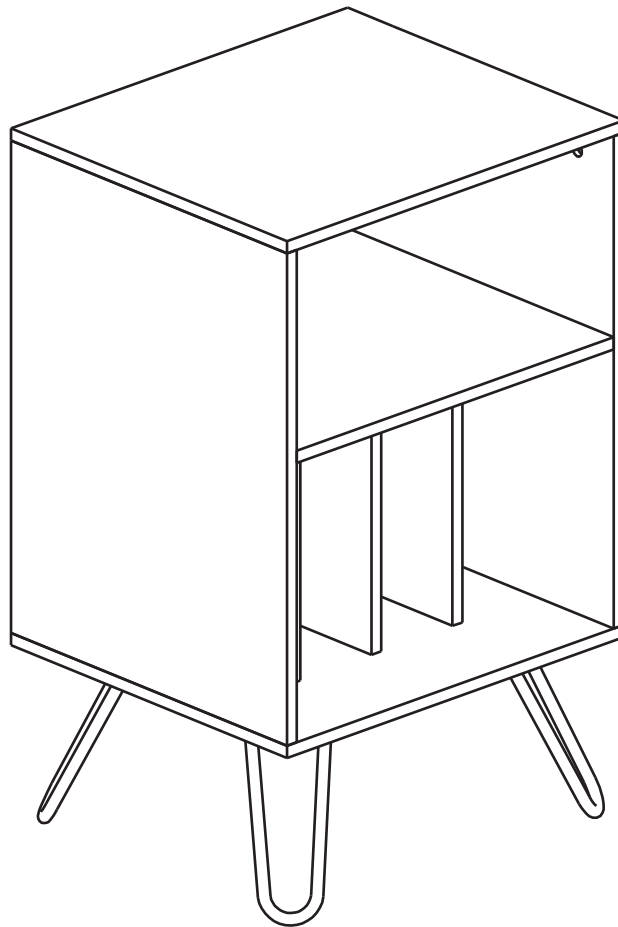




赛缇欧音响收纳柜

安装指南

SAR100



ARKROCKET INC.
Atlanta, GA

www.ARKROCKET.com

安装指南

***注意: 在开始组装过程之前, 请仔细阅读所有说明。部分零件可能笨重且重, 因此建议两人一起组装此家具, 以防在组装过程中造成人身伤害或零件损坏。

组件清单

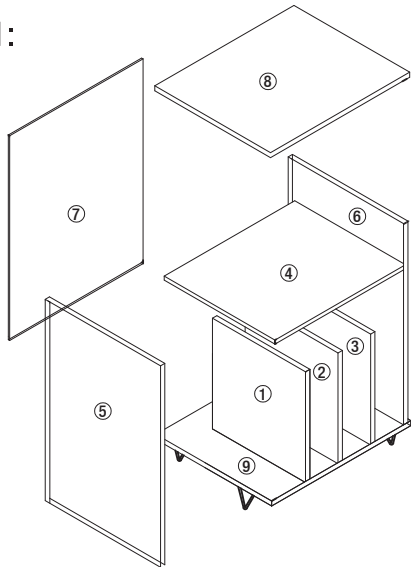
顶板和底板

No	示意图	Q'ty
1/2/3		3pcs
4		1pc
5		3pcs
6		1pc
7		1pc
8		1pc
9		1pc

配件清单

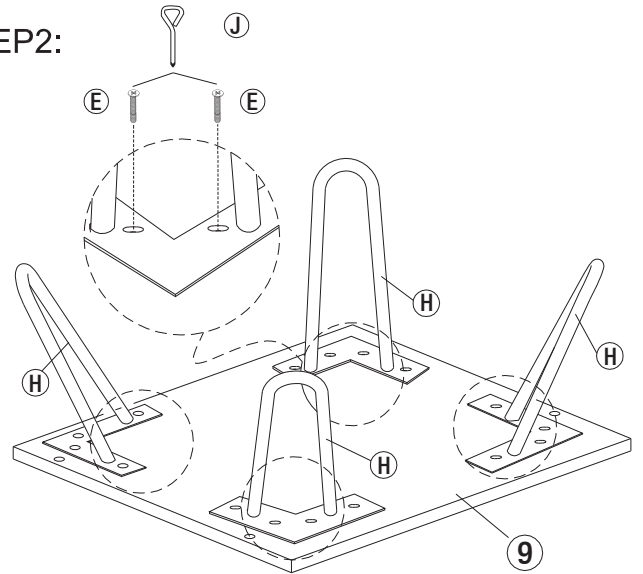
No.	描述	Q'ty
A	内六角螺钉 ($\phi 6 \times 30\text{mm}$)	10pcs
B	螺丝锁紧套 ($\phi 15 \times 11.5\text{mm}$)	10pcs
C	自攻螺钉 ($\phi 6 \times 49\text{mm}$)	4pcs
D	螺钉 KA ($\phi 3.5 \times 16\text{mm}$)	4pcs
E	螺钉 M5 (14mm)	16pcs
F	木塞 ($\phi 8 \times 30\text{mm}$)	24pcs
G	尼龙卡扣	4pcs
H	金属支脚	4pcs
I	六角螺丝刀	1pcs
J	十字螺丝刀	1pcs
K	螺丝孔贴纸 (PVC)	4pcs

STEP1:

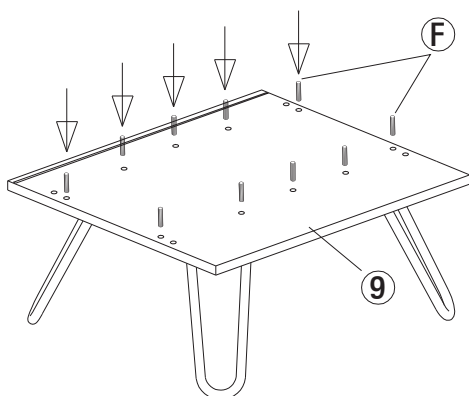


组件位置总览

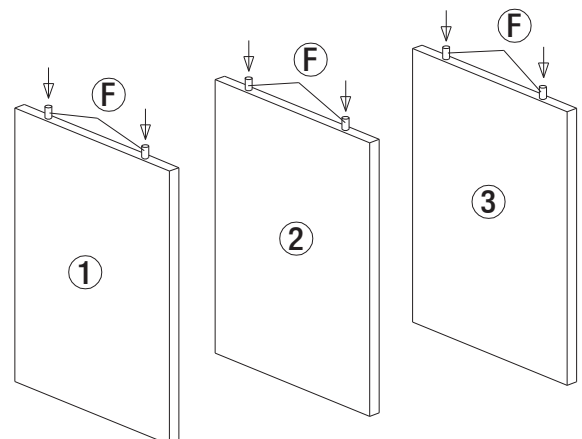
STEP2:



STEP3:



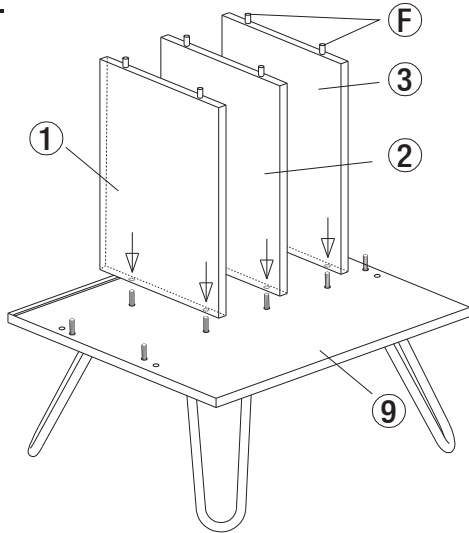
STEP4:



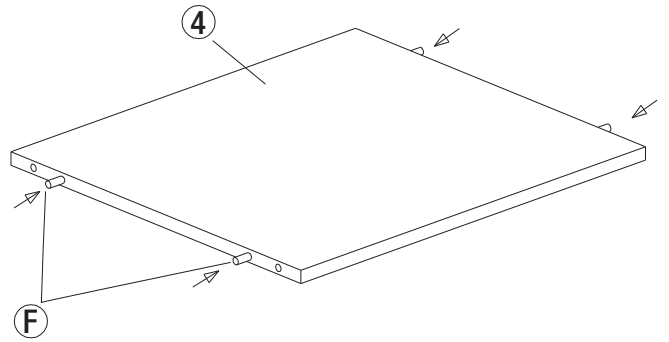
安装指南

***注意: 在开始组装过程之前, 请仔细阅读所有说明。部分零件可能笨重且重, 因此建议两人一起组装此家具, 以防在组装过程中造成人身伤害或零件损坏。

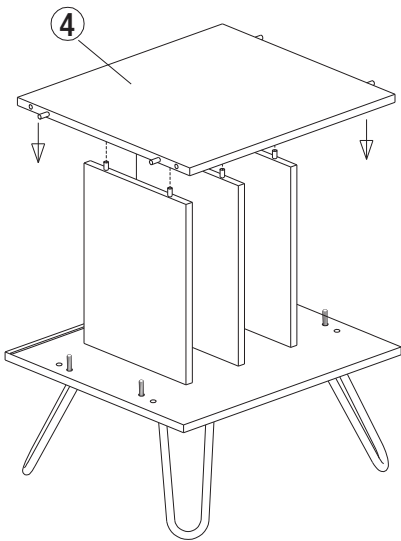
STEP5:



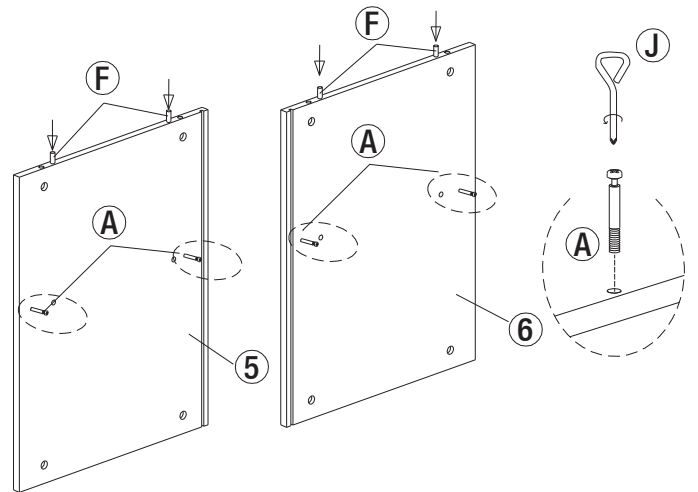
STEP6:



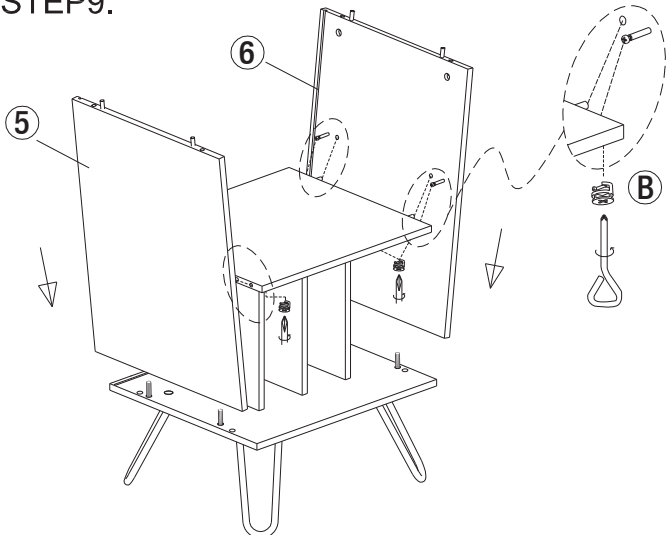
STEP7:



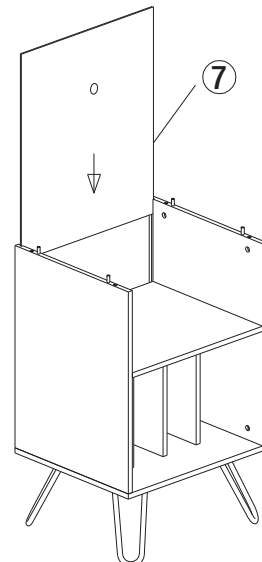
STEP8:



STEP9:



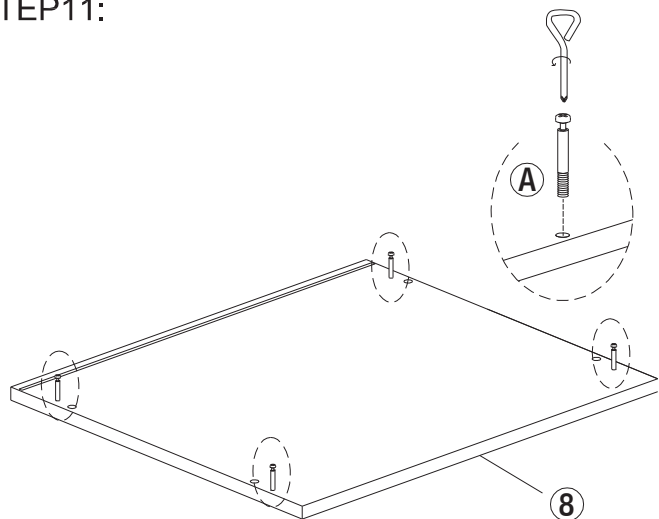
STEP10:



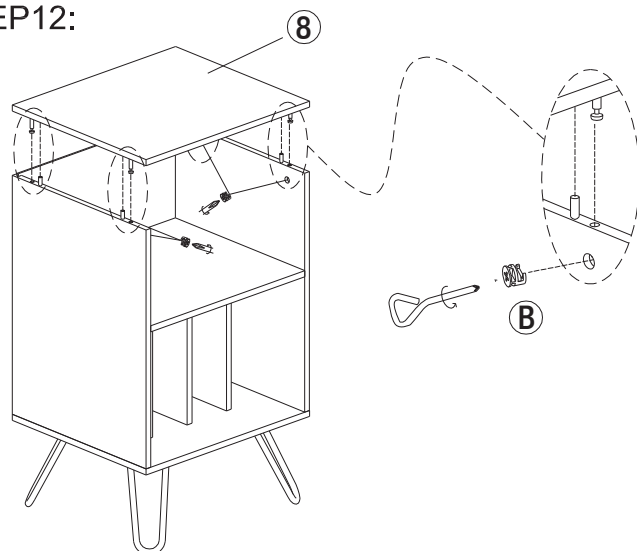
安装指南

***注意: 在开始组装过程之前, 请仔细阅读所有说明。部分零件可能笨重且重, 因此建议两人一起组装此家具, 以防在组装过程中造成人身伤害或零件损坏。

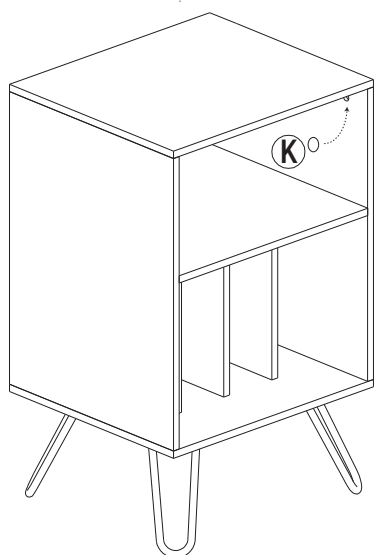
STEP11:



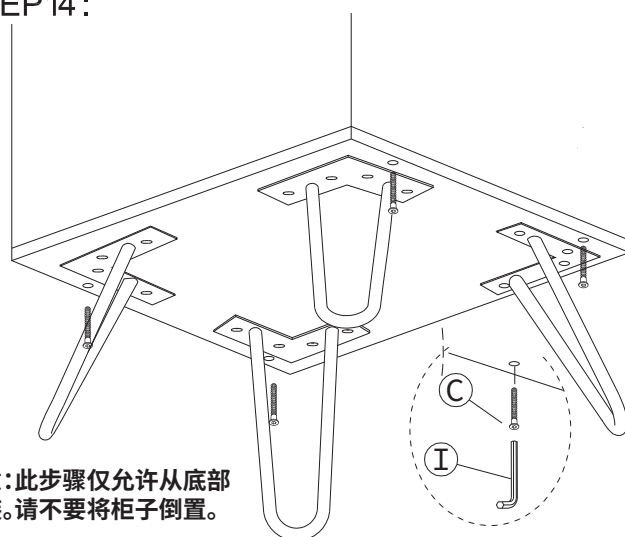
STEP12:



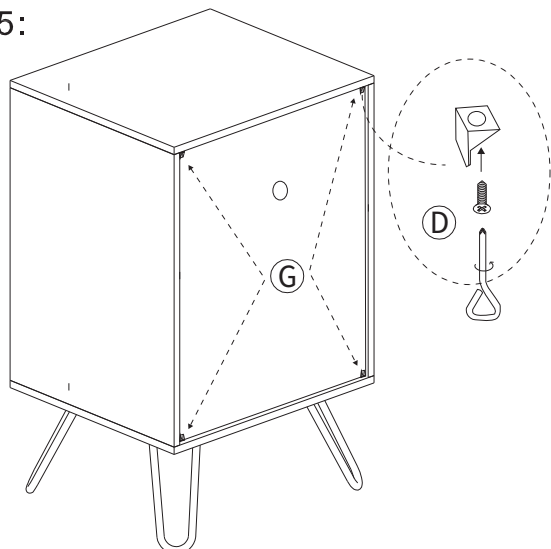
STEP13:



STEP14:



STEP15:



STEP16:

